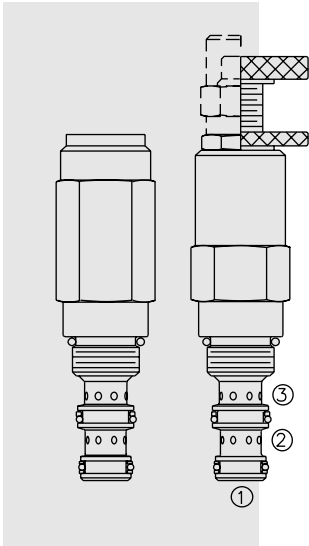


PR08-32 Pressure Reducing/Relieving



DESCRIPTION

A screw-in, cartridge-style, direct-acting, spool-type, hydraulic pressure reducing/relieving valve with internal pilot and internal spring chamber drain, designed to act as a pressure-regulating device for secondary circuits. It is intended for use in stable input flow circuits.

OPERATION

In its steady state, the **PR08-32** allows flow to pass bidirectionally from ② to ①, with the spring chamber constantly drained at ③.

On attainment of a pre-determined pressure at ①, the cartridge shifts to block flow at ②, thereby regulating pressure at ①. In this mode, the valve also will relieve ① to ③ at a variable value over the set reducing pressure.

Note: Direct-acting PR series valves may not be suitable for some static load applications. Consult factory.

FEATURES

- Adjustments cannot be backed out of the valve.
- Adjustments prohibit springs from going solid.
- Optional spring ranges to 152 bar (2200 psi).
- Hardened spool and cage for long life.
- Industry common cavity.
- Compact size.

RATINGS

Operating Pressure: 240 bar (3500 psi)

Proof Pressure: 390 bar (5700 psi)

Flow: 11.4 lpm (3 gpm) max.

Internal Leakage ② to ③: 82 cc/minute (5 cu. in./minute) max. at 207 bar (3000 psi) to 90% of nominal setting

Standard Spring Ranges (Reducing Function):

- 3.4 to 20.7 bar (50 to 300 psi);
- 6.9 to 41.4 bar (100 to 600 psi);
- 20.7 to 82.8 bar (300 to 1200 psi);
- 34.5 to 151.7 bar (500 to 2200 psi)

Temperature: -40 to 120°C with standard Buna seals

Filtration: See page 9.010.1

Fluids: Mineral-based or synthetics with lubricating properties at viscosities of 7.4 to 420 cSt (50 to 2000 ssu)

Installation: No restrictions; See page 9.020.1

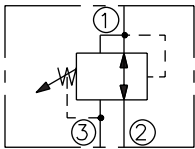
Cavity: VC08-3; See page 9.108.1

Cavity Tool: CT08-3XX; See page 8.600.1

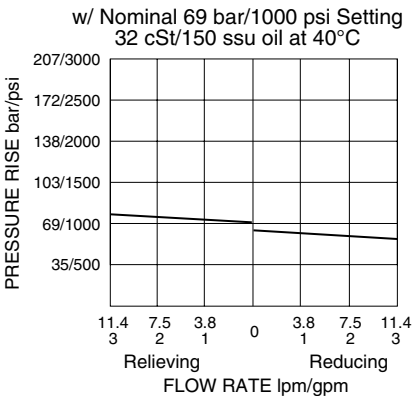
Seal Kit: SK08-3X-BM; See page 8.650.1

SYMBOLS

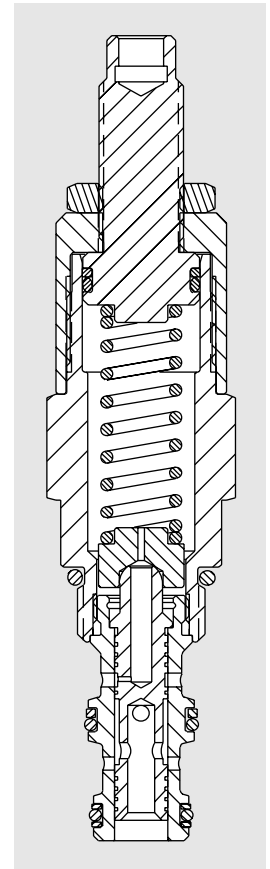
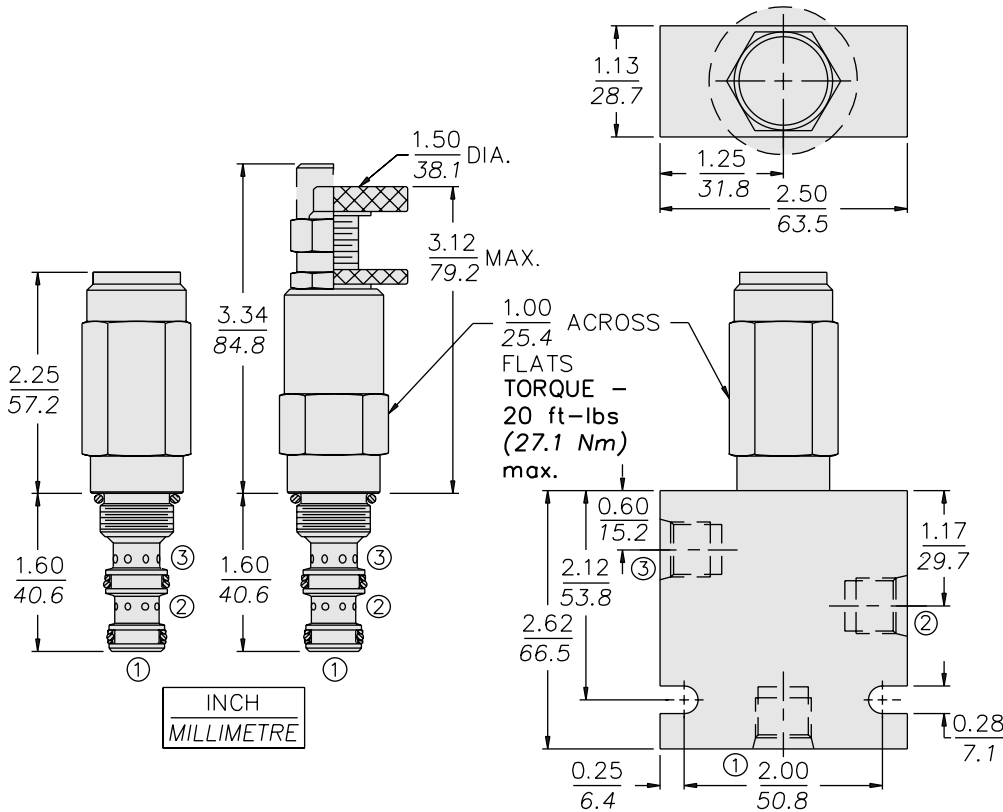
USASI/ISO:



PERFORMANCE (Cartridge Only)



DIMENSIONS



MATERIALS

Cartridge: Weight: 0.25 kg. (0.55 lbs.); Steel with hardened work surfaces. Zinc-plated exposed surfaces. Buna N O-rings and back-ups standard. Anodized aluminum knob.

Standard Ported Body: Weight: 0.27 kg. (0.60 lbs.); Anodized high-strength 6061 T6 aluminum alloy, rated to 240 bar (3500 psi); see page 8.008.1. Ductile iron and steel bodies available; consult factory.

TO ORDER

PR08-32 - - - /

<p>Adjustment Option</p> <p>1/4 in. Hex Allen Head A</p> <p>1-1/2 in. Dia. Alum. Knobs B</p> <p>Option A with Cover Cap C</p> <p>Factory Preset Non-Adj. F</p> <p>Factory Preset; Hidden Adj. H</p> <p>Option C w/ Lockwire Holes L</p> <p>Porting</p> <p>Cartridge Only 0</p> <p>SAE 4 4T</p> <p>SAE 6 6T</p> <p>1/4 in. BSP* 2B</p> <p>3/8 in. BSP* 3B</p> <p>*BSP Body; U.K. Mfr Only</p>	<p>Setting in bar[†]</p> <p>(Blank) for Adjustable, or Specify, for example:</p> <p>M25 25 bar</p> <p>M100 100 bar</p> <p>Setting in psi[†]</p> <p>(Blank) for Adjustable, or Specify, for example:</p> <p>9.0 900 psi</p> <p>21.0 2100 psi</p> <p>Spring Range</p> <p>3 3.4 to 20.7 bar (50 to 300 psi)</p> <p>6 6.9 to 41.4 bar (100 to 600 psi)</p> <p>12 20.7 to 82.8 bar (300 to 1200 psi)</p> <p>22 34.5 to 151.7 bar (500 to 2200 psi)</p>	<p>Seals</p> <p>Buna N (Std.) N</p> <p>Fluorocarbon V</p>
---	---	--

[†]Adjustable valves will be preset to approx. 50% of spring max. potential.